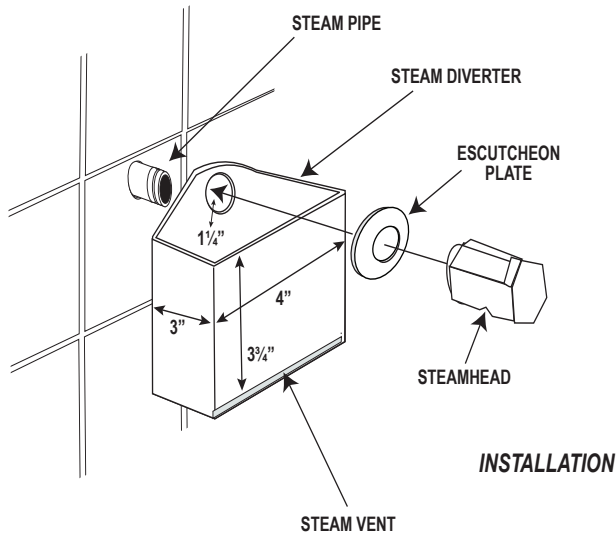


DESCRIPTION: #90-2605 Small Diverter

The Steam Diverter comes ready for installation. A clear Lucite shield designed to defuse steam as it discharges into the steam shower area, eliminating the possibility of hot spots and to keep the user from coming into direct contact with the steam head.



A. INSTALLATION

1. NEW

Be sure the steam pipe is installed at the proper length from the wall. In most installations, the threaded steam pipe must be exposed 3/4".

Place Steam Diverter first onto the steam pipe then the Escutcheon Plate. Screw the Steamhead onto the steam pipe until it begins to touch the Escutcheon. The steam outlet opening must be facing down. Protect the Steamhead from being scratched or marred during installation.

2. EXISTING

Remove Steamhead and Escutcheon from steam pipe.

Place Steam Diverter first onto the steam pipe then the Escutcheon Plate. Screw the Steamhead onto the steam pipe until it begins to touch the Escutcheon. The steam outlet opening must be facing down. Protect the Steamhead from being scratched or marred during installation.

B. CLEANING

A mild soap may be used or any dish detergent that does not have abrasives.

READ AND SAVE THESE INSTRUCTIONS