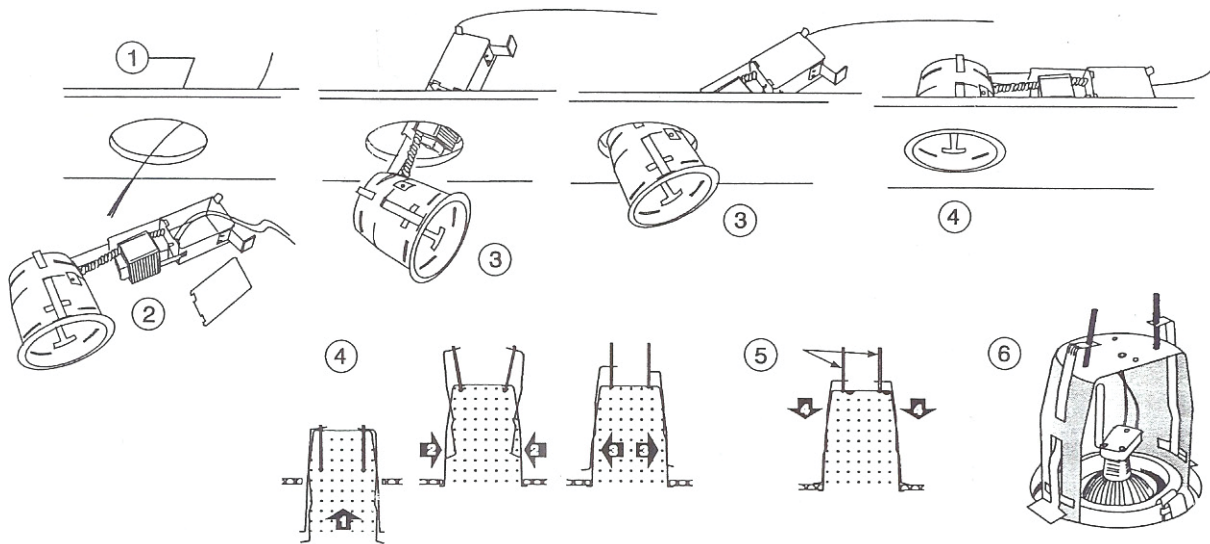


DESCRIPTION: Low voltage housing for ceiling without insulation (Non-IC).

TYPICAL INSTALLATION:	Model # 91-3000 w/ Electronic Transformer	Light Source MR16 - 50W max	OD Cut 3 3/4" 95mm
----------------------------------	---	---------------------------------------	------------------------------



SUITABLE FOR DAMP LOCATIONS

ATTENTION
DO NOT INSTALL INTO INSULATION
WARNING: «RISK OF FIRE»
Most dwellings built before 1985
have supply wires rated 60° C.
Consult a qualified Electrician before installing.
It is very important not to exceed the lamp wattage indicated.

INSTRUCTIONS FOR REMODEL INSTALLATION RECESSED FIXTURE

1. TURN OFF ELECTRIC CURRENT. CUT 3 3/4" HOLE.
2. Open junction box, connect wires including ground wire and close box.
3. Slide fixture into position.
4. Push fastening hooks through lateral openings.
5. Fasten fixture with adjustment screws.
6. Install lamp, glass and trim.

WARRANTY:

The manufacturer guarantees the transformer and components against manufacturing defects for a period of one (1) year, under normal use with proof of purchase. The obligation of the manufacturer consists in the cost for the transformer and components and does not cover the cost of labor and transport for replacement.

READ AND SAVE THESE INSTRUCTIONS