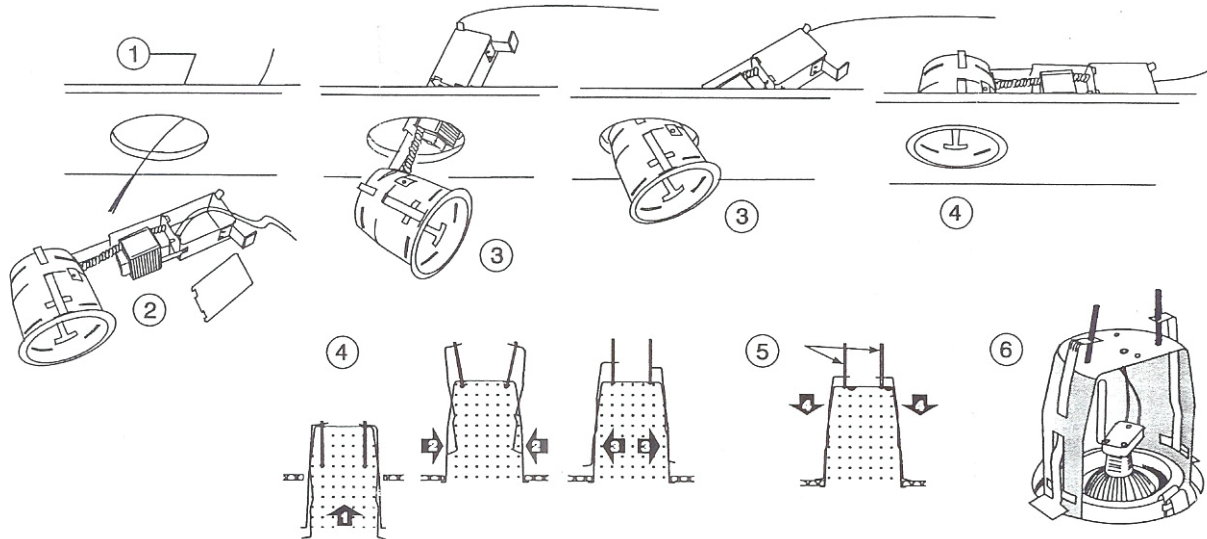


**DESCRIPTION:** Low voltage light housing for ceiling with out insulation (Non-IC).

<b>TYPICAL</b>	<b>Model#</b>	<b>Light Source</b>	<b>OD Cut</b>
<b>INSTALLATION:</b>	<b>91-3002 W/Magnetic Transformer</b>	<b>MR16 - 50W max</b>	<b>3 3/4" 95mm</b>



**SUITABLE FOR DAMP LOCATIONS**  
**ATTENTION**  
 DO NOT INSTALL INTO INSULATION  
 WARNING: •RISK OF FIRE•  
 Most dwellings built before 1985  
 have supply wires rated 60° C.  
 Consult a qualified Electrician before installing.  
 It is very important not to exceed the lamp wattage indicated.

**INSTRUCTIONS FOR REMODEL INSTALLATION RECESSED FIXTURE**

1. TURN OFF ELECTRIC CURRENT. Cut 3 3/4" hole.
2. Open junction box, connect wires including ground wire and close box.
3. Slide fixture into position.
4. Push fastening hooks through lateral openings.
5. Fasten fixture with adjustment screws.
6. Install lamp, glass and trim.

**WARRANTY:**

The manufacturer guarantess the transformer and components against manufacturing defects for a period of one (1) year, under normal use with proof of purchase. The obligation of the manufacturer consists in the cost for the transformer and components and does not cover the cost of labor and transport for replacement.

**READ AND SAVE THESE INSTRUCTIONS**