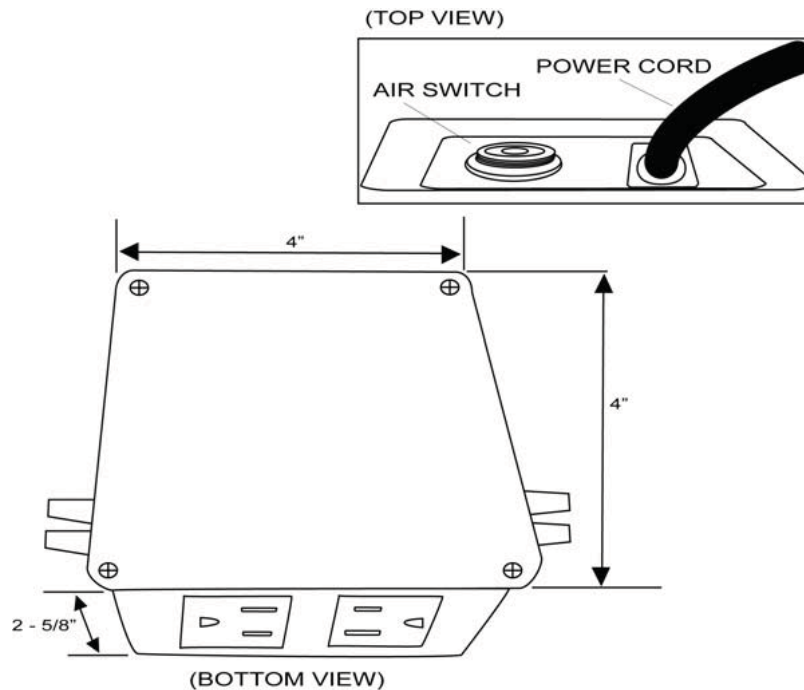
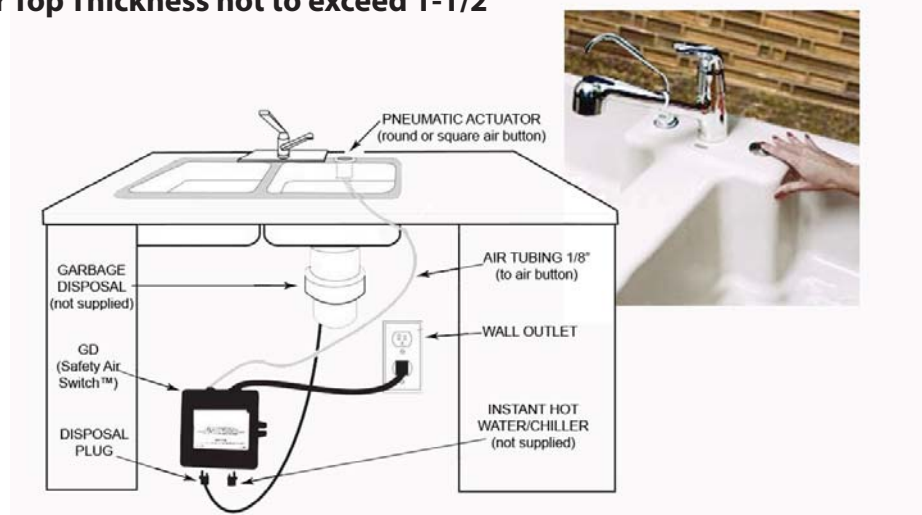


DESCRIPTION: The Steam~Whirl GD-2 Dual Outlet W/3' Cord is a simple and convenient remote on/off air switch. The cord plugs into any standard household wall outlet. Any 120V, 1HP motor can be plugged directly into either of the GD-2 receptacles. Pressing a remote AIR BUTTON will alternately activate or deactivate two pieces of equipment.



**TYPICAL
INSTALLATION:**

**Requires 1-3/8" Mounting Hole for Air Button
Counter Top Thickness not to exceed 1-1/2"**



READ AND SAVE THESE INSTRUCTIONS

WARRANTY

Steam~Whirl warrants its products to be free from defects in workmanship and material under normal use and conditions for a period of one year from the date of original manufacture. Should repair be required by reason of any defect or malfunction during the warranty period, Steam~Whirl will repair, or at their discretion, replace this product without charge, subject to verification of the defect or malfunction, upon delivery of the product to the attention of:

Technical Service Department
Steam~Whirl
3775 W Teco Ave #5
Las Vegas, NV 89118

If repair is required after the expiration date of the warranty period, Steam~Whirl will repair this product and bill for any necessary replacement parts, shipping and handling.

This warranty is void if: 1) The unit is not installed per the instructions; 2) Is hooked up to improper voltage; 3) is subjected to chemical corrosion; 4) is mechanically or electrically altered in any way; 5) is subjected to water or immersion; 6) contacts show evidence of short circuiting, or the unit has been visibly damaged by accident or misuse or which has been damaged by wind, rain, lightning, freezing or other cause; or upon which the serial number or manufacture date has been altered, effaced or removed. There is a charge for replacement parts if the defective unit is returned for any of the reasons listed above

Steam~Whirl shall not be liable for any inconvenience, loss of time, or incidental expenses incurred. Steam~Whirl shall not be liable for any labor charges associated with the removal or reinstallation of any so claimed defective products.

This is only warranty expressed or implied by Steam~Whirl. Warranties implied under state law, including any implied warranty of merchantability or fitness for particular purpose, shall be limited to one year from the date of manufacture.

Steam~Whirl disclaims any liability for any incidental or consequential damages.

Ship as follows:

1. Pack the unit in well padded, heavy corrugated box.
2. Include name, return address and daytime phone number along with a short description of problem.
3. Mail the unit, prepaid, to the Technical Service address.

Some states do not allow the exclusion or limitation of incidental or consequential damages, therefore the above limitation may not apply to you.

FOR TECHNICAL ASSISTANCE CALL: 800-232-7832
E-MAIL: techsupport@steam-whirl.com



STEAM ~ WHIRL

3775 W Teco Ave #5 Las Vegas, NV 89118
(702) 270-2124 Fax (702) 270-6628

www.steam-whirl.com
e-mail: swsales@steam-whirl.com