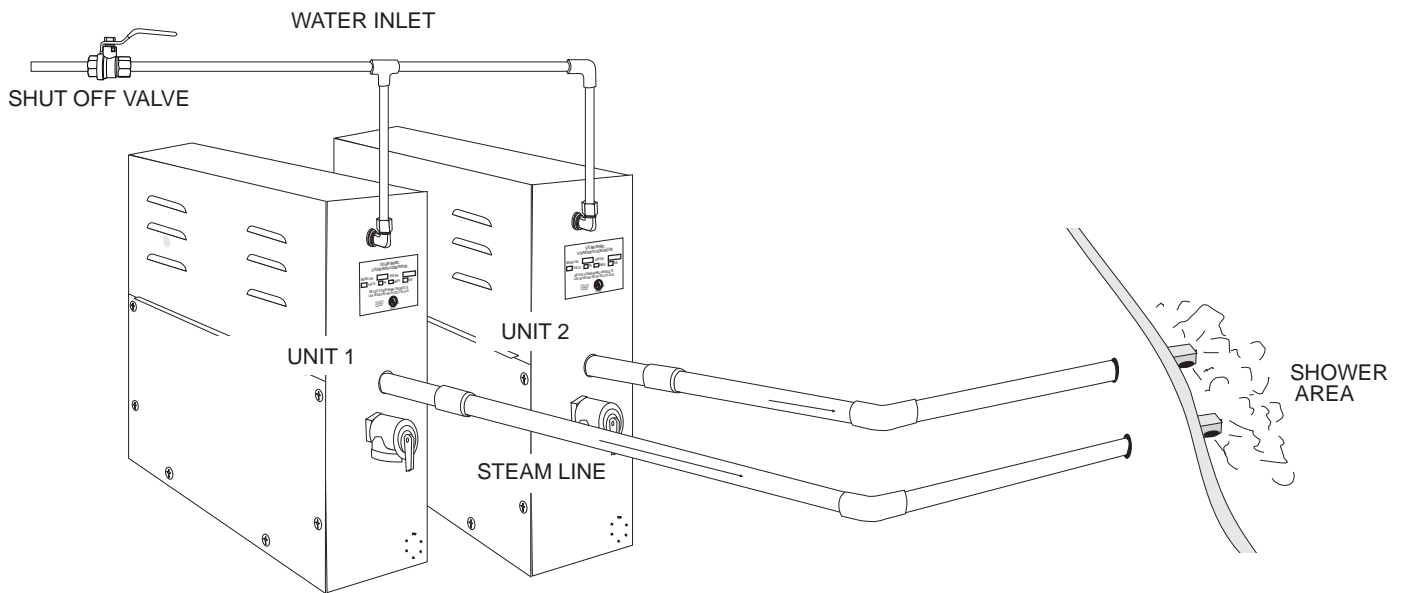
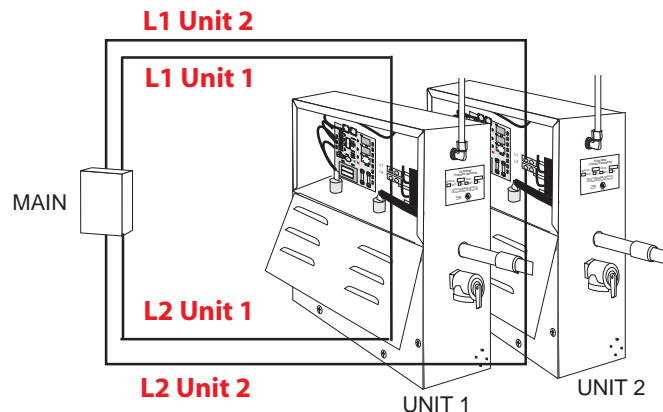


**DESCRIPTION:** System consists of two Generators operating in unison.



***POLARITY MUST BE THE SAME ON L1 & L2***



- POWER CONNECTION:** Each Generator requires a separate incoming power supply.
- WATER CONNECTION:** Two Generators may be connected to a single water line with tee connection and elbow.
- STEAM CONNECTION:** Each Generator must be connected to a separate Steamhead.
- DRAIN CONNECTION:** If each Generator has a Blowdown installed, drain connection must be separate for each Generator.
- TIMER CONNECTION:** Install Timer according to specific Timer Instructions and Timer Kit Instructions for Dual Generator Hook-Up.

**DANGER**

**To Reduce Risk of Explosion, Do Not Interconnect Steam Outlets  
A Separate Steam Line Must be Provided for Each Steam Outlet**

**READ AND SAVE THESE INSTRUCTIONS**